

WATER SCREEN SPRAY NOZZLE

Model : WILTEX 360 FLAT



TECHNICAL DATA :

MODEL	WILTEX 360 FLAT
CONNECTION	1/2 or 3/4 inch (Male) NPT
SPRAY ANGLE	360° Fan
MATERIAL	Brass or 316 stainless Steel



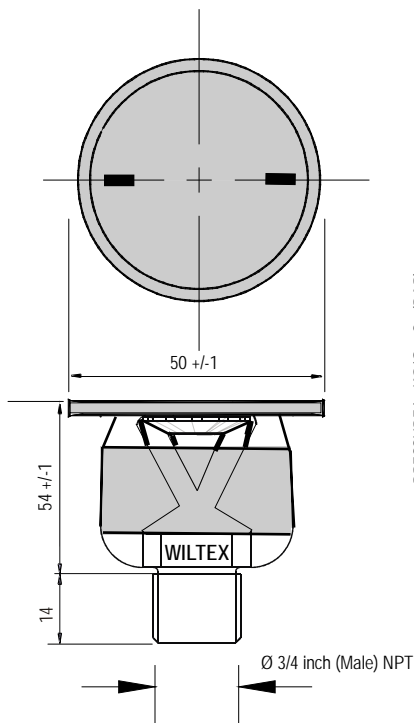
WILTEX 360 FLAT

APPLICATION

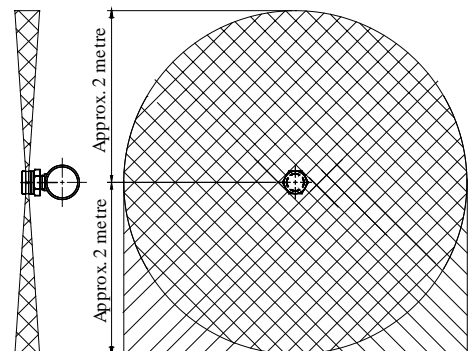
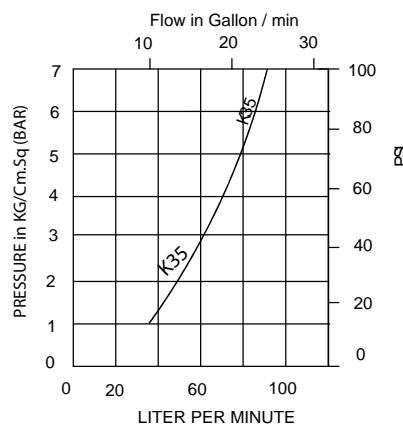
WILTEX 360 FLAT spray nozzle has an external deflector, which discharges water in a flat circular shaped pattern of small droplet size. The water is uniformly distributed over the surface to be protected. The nozzle is used in water screening application. The minimum desirable pressure to achieve a reasonable spray pattern is 1.4 Kg./Sq.cm. The water distribution pattern as shown in the graph in following pages is at an average pressure of 5.0 Kg./Sq.cm. The change in pressure between 1.4 to 3.5 Kg./sq.cm. does not affect considerable change in spray angle. The spray pattern shown is with indoor application. System designer must consider wind velocity while designing the system for outdoor application. Field obstruction if any affecting the spray pattern of the nozzle must also be considered. The nozzle may be oriented to any position as deemed necessary to cover the hazard.

FLOW SPECIFICATION

Male Pipe Size	Nozzle Number	K Factor	LITERS PER MINUTE @ Bar						
			0.5 bar	0.7 bar	1 bar	2 bar	3 bar	5 bar	10 bar
1/2	K-22	22	16.1	19.1	22.8	32.2	39.5	51.0	72.1
3/4	K-35	35	24.2	28.6	34.2	48.3	59.2	76.4	108



DISCHARGE CHARACTERISTICS



Note : Dimension and design may change with actual product.