



V480 series

Filter Nozzles

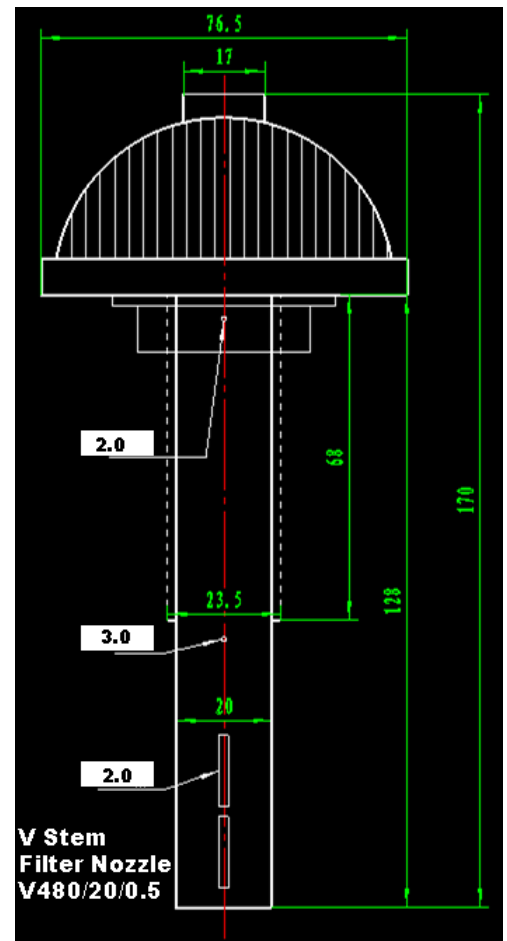
FILTER NOZZLES WITH VERTICAL SLOTS

Model : V480/20/0.5

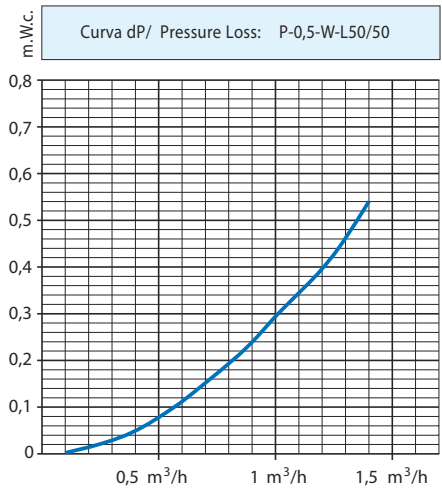
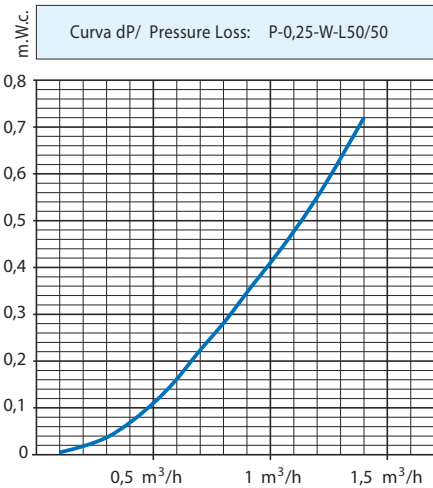
- * Sand and anthracite wash
- * Easily cleaned by BackWash
- * Low cost

SPECIFICATIONS

=====
Model : **V480/20/0.5**
Type : V Stem Filter Nozzle
Diameter of Stem : M24 inch
Total Length : 170mm
Number of Wash up holes : 4 qty
Dia. of Wash up hole : 8mm
Dia. of Middle air hole : 2mm
Dia. of bottom air hole : 3mm
Width of slot on dome : 0.5mm
 c/w nozzle dome, stem and cap sealing plate
Colour : Yellow



Material: Polypropylene



Dimension changes depending on connection size.