

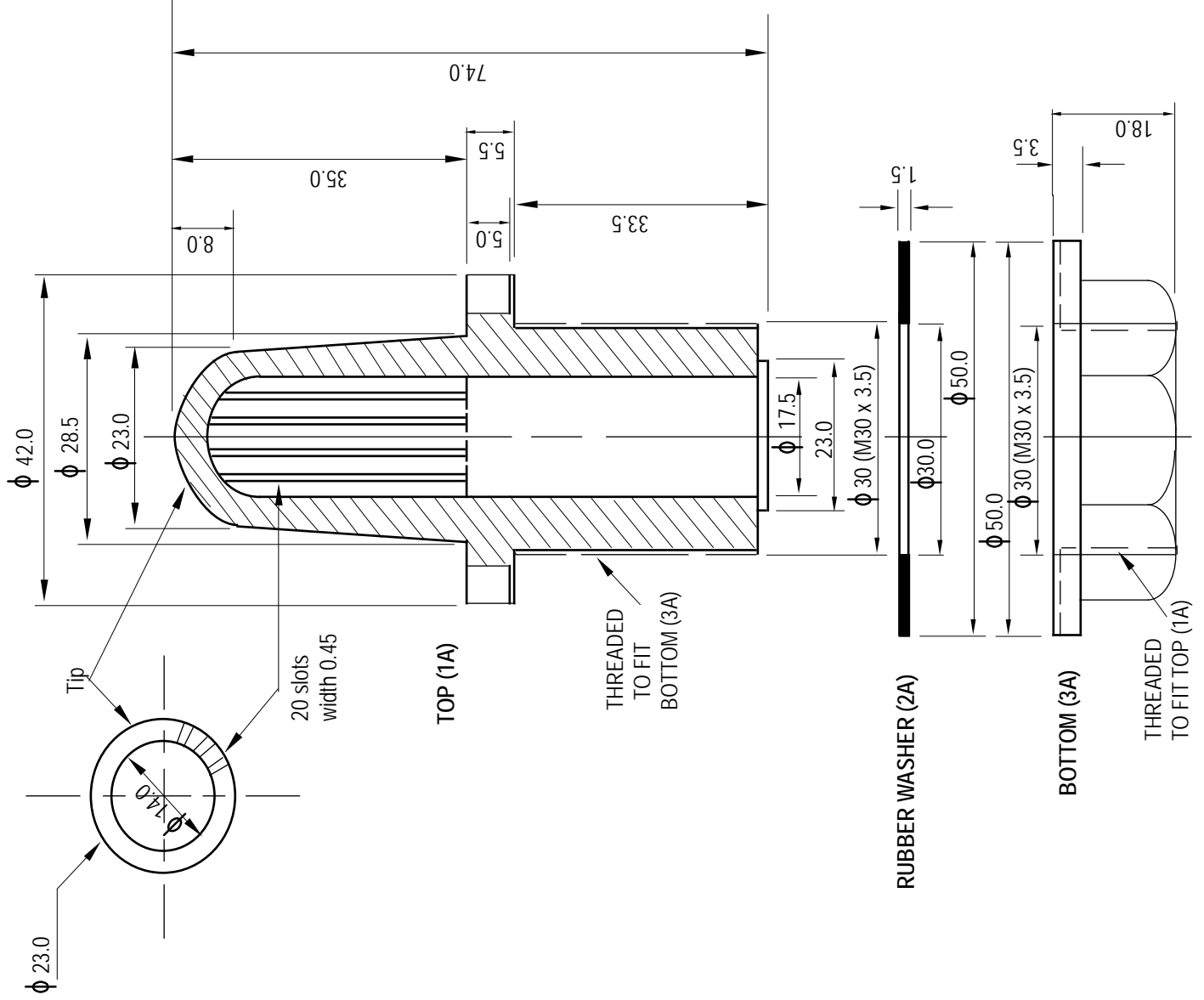
THIS DRAWING IS THE PROPERTY OF WILSON ENGINEERING (S) PTE LTD. NO COPY, REPRODUCTION, DISTRIBUTION AND NO CIRCULATION ALLOWED WITHOUT WRITTEN CONSENT AND PERMISSION FROM WILSON ENGINEERING (S) PTE LTD. THIS PRINT CONTAINS PROPRIETARY INFORMATION WHICH MUST NOT BE USED FOR COMPETITIVE PURPOSES OR IN ANY WAY DETRIMENTAL TO WILSON ENGINEERING (S) PTE LTD. PRINT MUST BE RETURNED UPON REQUEST.

CONTACT : (65) 67741828
www.wileng.in.com.sg

SPECIFICATION

Type : 511 BACK WASH NOZZLE
Size : M-20 x 50
Code : ITA-3
Material : Polypropylene

ALL DIMENSIONS IN MM (MILLIMETER)



REV	DATE	DESCRIPTION	CHECK	APPROVE
0	15/05/14	FOR PRODUCTION	JOHN	EE



WILSON SPRAY NOZZLE PTE LTD

CUSTOMER :	
PROJECT :	
MODEL :	TYPE 511 PP BACK WASH NOZZLE
DRAWING TITLE :	GENERAL ARRANGEMENT DRAWING
PO REF :	DOC. NO :
SHEET 1 OF 1	DWG. NO : IP2254
	REV 0