



SD series

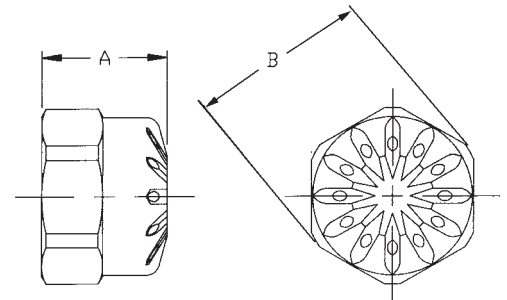
SMALL DENSE FOG Nozzles

DESIGN FEATURES

- Multiple fan patterns
- Solid one-piece construction
- Female connection

SPRAY CHARACTERISTICS

- Critical mass dense full cone fog
Spray pattern 90 degrees full cone
Flow rates: 9.16 to 618 l/min.



SD Flow Rates and Dimensions

Full Cone, 3/4", 1" and 1-1/4" Pipe Size, BSP or NPT

Female Pipe Size	Nozzle Number	K Factor	LITERS PER MINUTE @ BAR							Dimensions (mm.)		Wt. (g)
			0.7 bar	1 bar	2 bar	3 bar	5 bar	10 bar	15 bar	A	B	
3/4	SD 05	109	9.16	10.9	15.5	19.0	24.5	34.6	42.4	25.4	35.1	85.1
	SD 10	205	17.2	20.5	29.0	35.6	45.9	64.9	79.5			
	SD 12	27.4	22.9	27.4	38.7	47.4	61.2	86.5	106			
	SD 18	41.1	34.3	41.1	58.1	71.1	91.8	130	159			
1	SD 25	57.0	47.7	57.0	80.6	98.8	127	180	221	26.5	42.2	142
	SD 35	79.8	66.8	79.8	113	138	178	252	309			
1 1/4	SD 50	114	95.4	114	161	198	255	361	442	31.0	53.1	227
	SD 70	160	134	160	226	277	357	505	618			

Standard Materials: Brass, 303 and 316 Stainless Steel.