



PAPER NEEDLE Nozzles

High pressure solid stream nozzles for paper making industries. Constructed of brass material with high abrasive ceramic inserts. It is capable of discharging water jets at 140 bar in straight needle solid stream to precisely trim and cut jumbo roll paper.



DESIGN FEATURES

- Precise straight jet
- Ceramic insert with choice of Tungsten alloy or Ruby inserts
- Stainless steel strainer

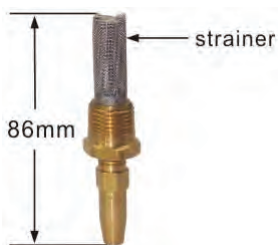
SPRAY CHARACTERISTICS

- High reliability spray performance under the most difficult conditions
- Spray pattern : straight needle jet
- NPT or BSPT thread

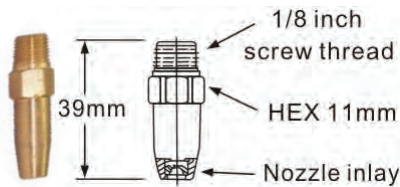
FLOW SPECIFICATIONS

nozzle type	Serial number	orifice dia. (mm)	Capacity (L/min)									
			7Bar	10Bar	20Bar	30Bar	40Bar	50Bar	60Bar	70Bar	100Bar	138Bar
P1070 P1071 P1072	15	0.38	0.17	0.21	0.29	0.36	0.41	0.46	0.50	0.54	0.65	0.76
	20	0.51	0.31	0.36	0.52	0.63	0.73	0.82	0.89	0.96	1.2	1.4
	25	0.64	0.48	0.57	0.81	0.99	1.1	1.3	1.4	1.5	1.8	2.1
	30	0.76	0.69	0.82	1.2	1.4	1.6	1.8	2.0	2.2	2.6	3.1
	35	0.89	0.93	1.1	1.6	1.9	2.2	2.5	2.7	3.0	3.5	4.2
	40	1.0	1.2	1.5	2.1	2.5	2.9	3.3	3.6	3.9	4.6	5.4
	45	1.1	1.5	1.9	2.6	3.2	3.7	4.1	4.5	4.9	5.8	6.9
	50	1.3	1.9	2.3	3.2	4.0	4.6	5.1	5.6	6.0	7.2	8.5
	60	1.5	2.8	3.3	4.6	5.7	6.6	7.3	8.0	8.7	10.4	12.2

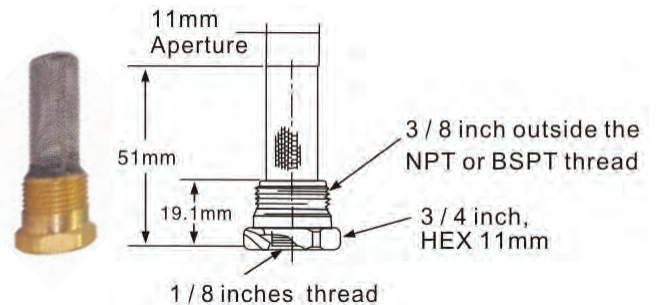
Nomenclature



P1070 with SS strainer



P1071 without SS strainer



P1072 with SS strainer and adapter

Standard Material : Brass body with ceramic orifice and SS filter

WILSON SPRAY NOZZLE PTE LTD
www.wilsonspraynozzle.sg