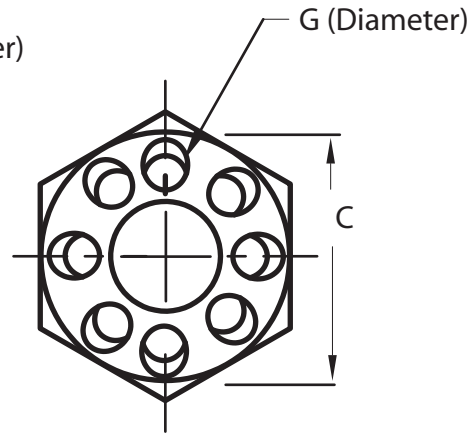
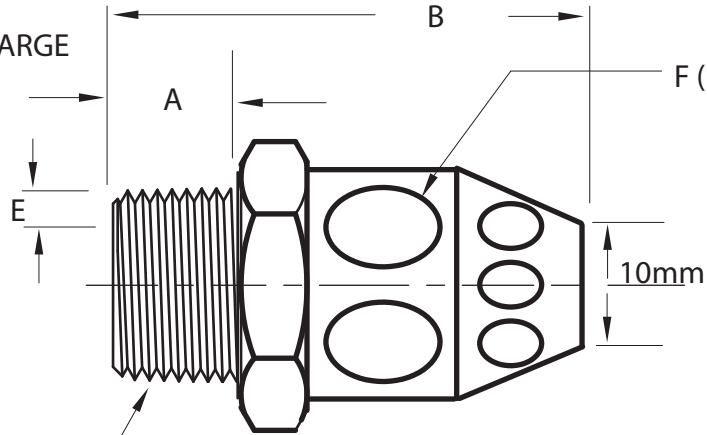


INERGEN DISCHARGE NOZZLE
Material : Brass



DIMENSIONS in mm

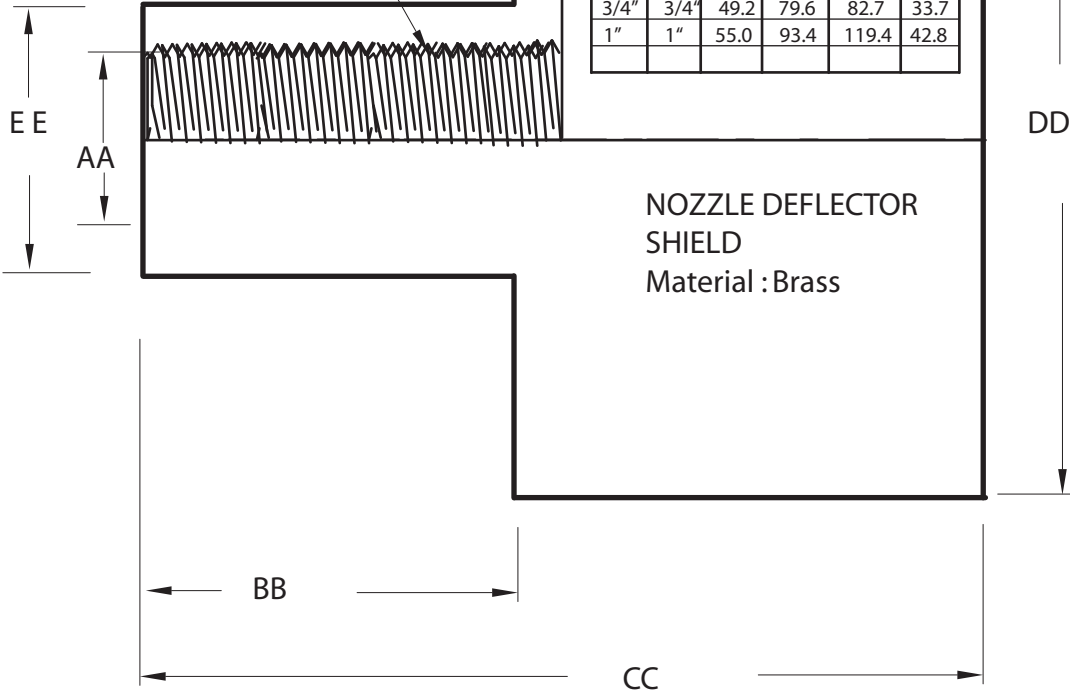
INERGEN DISCHARGE NOZZLE							
SIZE	A	B	C	E	F	G	HEX HEAD
1/2"	23	48	21	3	7	4.0	15/16"
3/4"	26	53	21	4	7	4.0	1 1/8"
1"	35	62	25	5	8	4.0	1 7/16"

(M) NPT

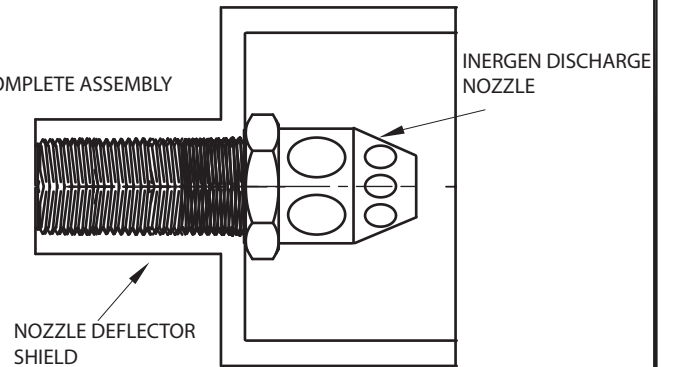
(F) NPT

DIMENSIONS in mm

NOZZLE DEFLECTOR SHIELD						
SIZE	AA	BB	CC	DD	EE	
1/2"	1/2"	45.9	73.5	82.7	27.6	
3/4"	3/4"	49.2	79.6	82.7	33.7	
1"	1"	55.0	93.4	119.4	42.8	



COMPLETE ASSEMBLY



INERGEN DISCHARGE NOZZLE

NOZZLE DEFLECTOR SHIELD

0	12/05/07	FOR FABRICATION	VN	ET
REV	DATE	DESCRIPTION	CHECK	APPROVE
WILSON ENGINEERING (S) PTE LTD				
CUSTOMER :				
PROJECT :				
MODEL : INERGEN DISCHARGE NOZZLE				
DRAWING TITLE : GENERAL ARRANGEMENT DRAWING				
PD REF : DOC. NO :				
SHEET 1 OF 1		DWG NO : 74659	REV 1	