



APL series

Filter Nozzles



FILTER NOZZLES WITH VERTICAL SLOTS
Model : APL - Yellow or Black or White

- For Sand and Anthracite Filter
- Clean by backwash
- Complete set of thread and stem
- Durable with little maintenance
- low cost



Type	Slot width mm	Slots No.	Area mm ²
APL	0.25	40	165

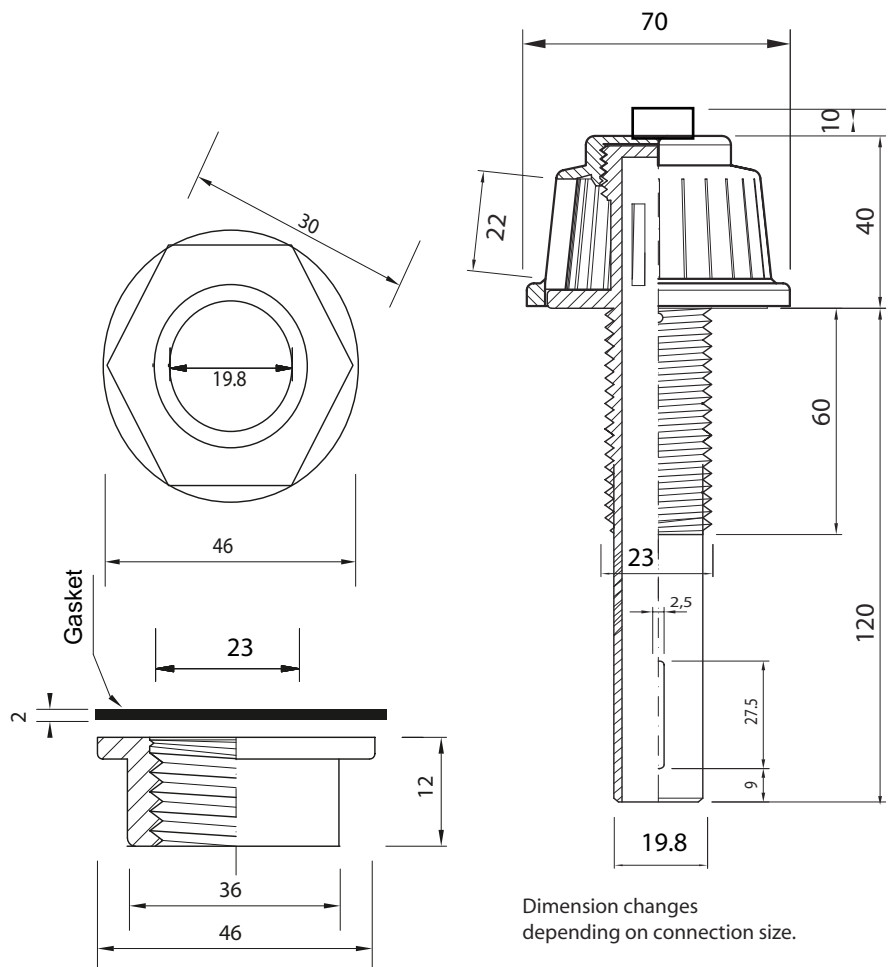
Thread size : 3/4 inch NPT

Material: Polypropylene

SPECIFICATIONS;

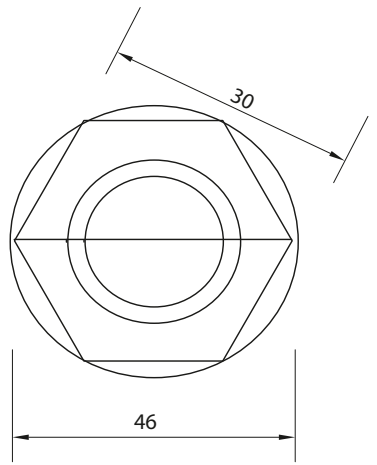
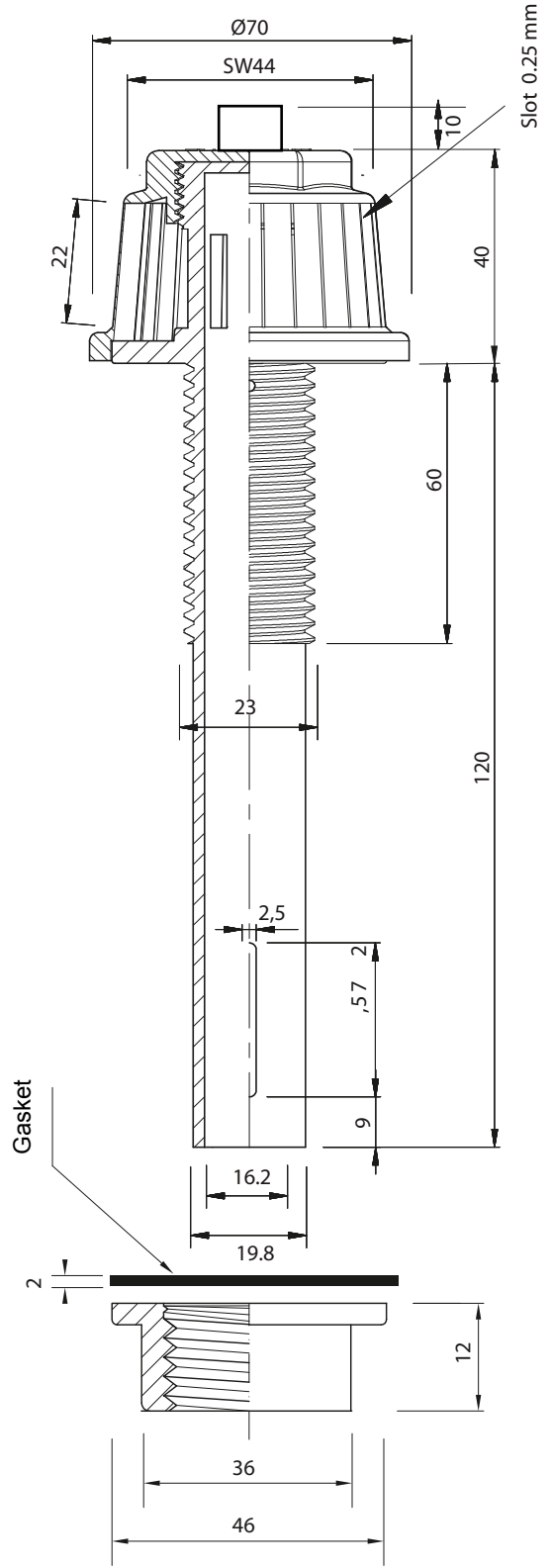
Wilson APL Filter Nozzle Sample A

- Stem length including thread : 120 mm
- Thread length : 60 mm
- Overall Length : 170 mm
- Size : 3/4 Inch NPT
- Slot : 0.25 mm,
- Material : Polypropylene
- Colour : White or Black or Yellow
- c/w retainer nut
- and 0.2mm neoprene gasket




Dimension changes depending on connection size.

THIS DRAWING IS THE PROPERTY OF WILSON ENGINEERING. NO COPY, NO DUPLICATION, NO DISTRIBUTION AND NO WITHOUT WRITTEN CONSENT AND PERMISSION FROM WILSON ENGINEERING LTD.
 THIS PRINT CONTAINS PROPRIETARY INFORMATION WHICH IS NOT TO BE REPRODUCED OR IN ANY WAY DETRIMENTAL TO THE INTERESTS OF WILSON ENGINEERING LTD.
 CONTACT : (65) 67741828
 www.wilengn.com.sg



All Dimensions in mm

1	15/01/19	FOR CUSTOMER APPROVAL	JOHN DW
0	05/10/10	FOR CUSTOMER APPROVAL	JOHN EE
REV	DATE	DESCRIPTION	CHECK APPROVE
 WILSON ENGINEER			
CUSTOMER :			
PROJECT :			
MODEL :			
DRAWING TITLE : GENERAL ARRANGEMENT DRAWING			
PO REF :			
DOC. NO. :			
SHEET 1 OF 1 DWG NO. : 1938 REV 1			