



# R Vert series

## Filter Nozzles

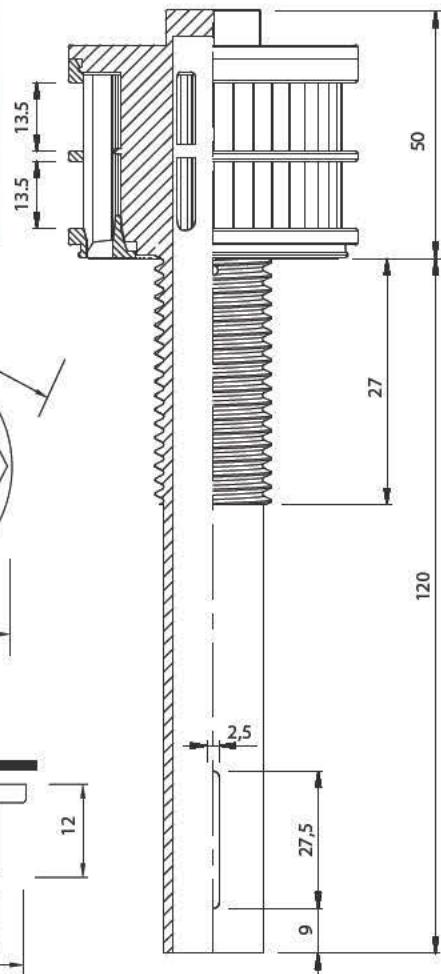
FILTER NOZZLES WITH VERTICAL SLOTS

**Model : R Vert**

- For Sand and Anthracite Filter
- Clean by backwash
- Complete set of thread and stem
- Durable with little maintenance
- low cost



Filter Sleeve



### Wilson R Vert Filter Nozzle

- Stem length including thread : 120 mm
- Thread length : 27 mm
- Overall Length : 170 mm
- Size : 3/4 Inch NPT
- No of slots : 40
- Slot width : 0.25 mm,
- Material : Polypropylene
- Colour : White or Black or Yellow  
c/w retainer nut  
and 0.2mm neoprene gasket

Dimension changes depending on connection size.