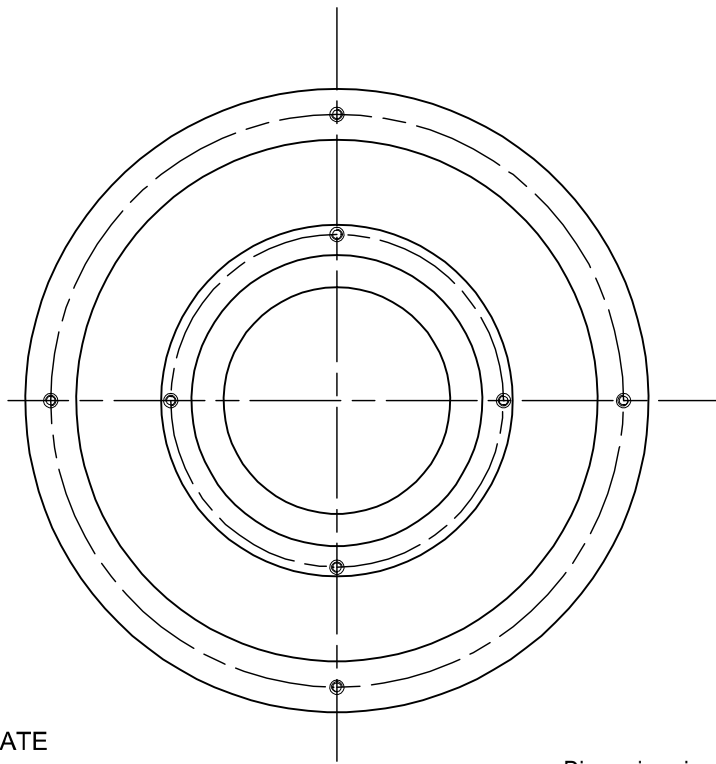
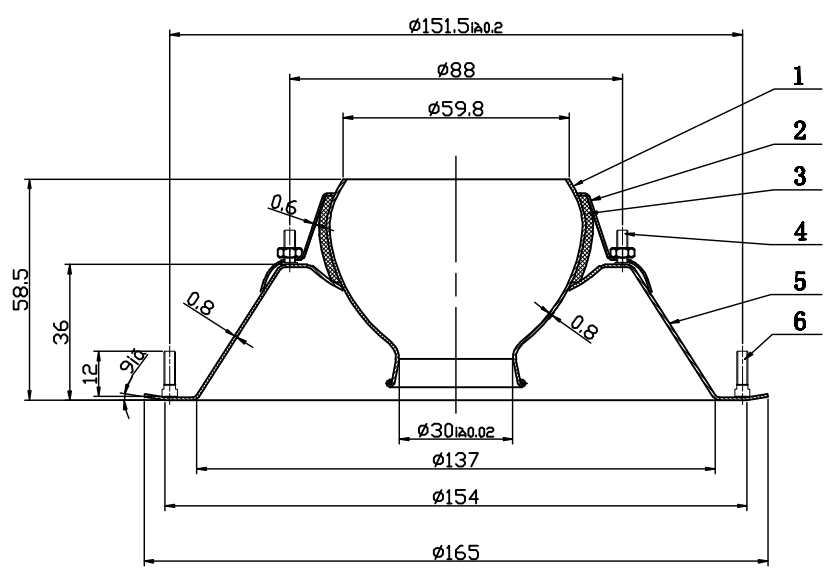


0.8



S	Part No	Qty	Mat'l
1	30mm ϕ inlet	1	304SS
2	Retainer	1	304SS
3	Vortex Ball	1	304SS
4	M3 x 10	4	304SS
5	Bracket	1	304SS
6	M3 x 12	4	304SS

NOTE : ALL DIMENSIONS ARE APPROXIMATE AND MAY DIFFER WITH ACTUAL UNIT

Dimensions in mm

IF IN DOUBT.ASK		MACHINING TOLS.UNLESS SPECIFIED					
IS:3073 IN MICRONS		IS:2102					
		ANGULAR DIMS.		LINEAR DIMS.			
Symbol	Finish	OVER	UPTO	TOL.	OVER	UPTO	TOL.
$\nabla\nabla\nabla$	GROUND FINISH	0.025	1.6				
$\nabla\nabla$	SMOOTH FINISH	1.6	8				
∇	ROUGH FINISH	8	25				
	SCALE:	6	30	$\pm 6'$	6	30	± 0.1
	1:2	30	120	$\pm 20'$	30	120	± 0.3
		120	360	$\pm 30'$	120	315	± 0.5
					315	1000	± 0.8
		DRN BY					
0	12.18	AIR SHOWER	CHKD BY				
REV	DATE	DESCRIPTION	APPD.BY		DW	12.18	

WILSON SPRAY NOZZLE PTE LTD
 Block 2021, #02 -180 Bukit Batok Street 23,
 Bukit Batok Industrial Park A,
 Singapore 659526, Tel : 67741828.

ASSEMBLY: TAG. NO:
 PART NO : AS151-59

TITLE: AIR SHOWER NOZZLE AS151-59

DRG. NO.: 12635